

# PAR-64 Lantern

MODEL: PARCAN-64

Light weight spun aluminium PARCAN accommodates 1000W PAR-64 series sealed beam lamps. Extensively used in discotheque and entertainment musical shows and in theatres.



MODEL: PARCAN-64

## specifications :

**CONSTRUCTION:**  
Spun Aluminium 16SWG in 2 piece cylindrical construction

**LAMP SOCKET:**  
CERAMIC  
Type Gx16D

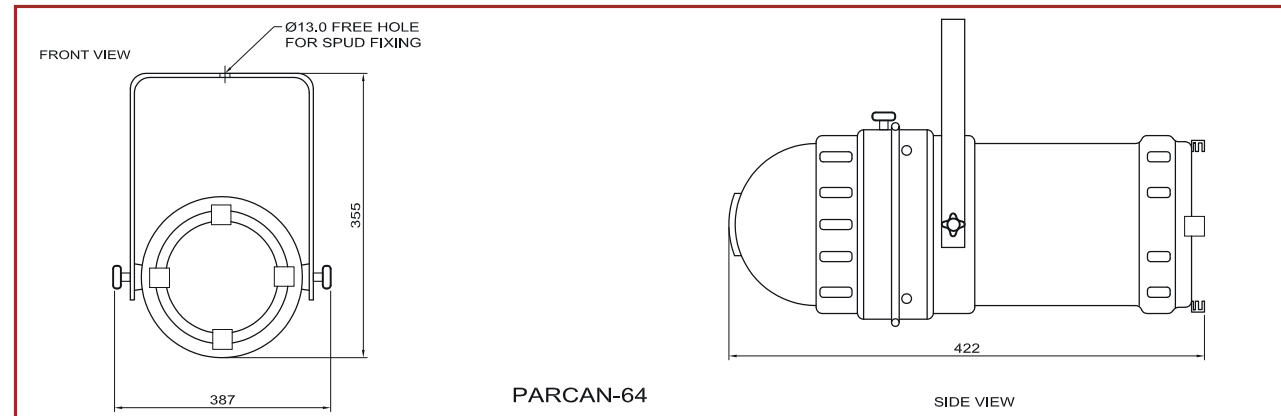
**YOKE:**  
MS flat 25 x 3mm with 13mm free mounting hole to fit the adaptor.

**SPIGOTS (OPTIONAL):**  
16mm or 28mm spigot

**CABLE:**  
3Cx1.0mm<sup>2</sup>, copper flexible PVC insulated power cable 10m in length with 3pin insulated plug.

**VENTILATION:**  
Natural cooling through punched slots on PARCAN housing.

**FINISH:**  
Textured black matt epoxy powder coat.



Sr.	PARTICULAR OF LAMPS	NARROW SPOT	SPOT	FLOOD
1	Wattage	1000W	1000W	1000W
2	Voltage	240 VAC	240 VAC	240 VAC
3	Type	Sealed beam PAR 64 (CP-60)	Sealed beam PAR 64 (CP-61)	Sealed beam PAR 64 (CP-62)
4	Beam Angle (degree)	20x17°	23x20°	39x24°
5	Peak intensity (cd)	400000	260000	110000
6	Lamp socket	Gx16D	Gx16D	Gx16D
7	Colour temperature	3200K	3200K	3200K
8	Average rated life	300Hrs	300Hrs	300Hrs
9	Weight of lamps	0.87kgs	0.87kgs	0.87kgs

## Accessory Options

DESCRIPTION	CODE	Wt.in Kgs approx.
4-leaf Barndoor	BD-64	0.50Kg
Gel Frame	GF-64	0.30Kg
16mm Spigot	SPI-16	0.10Kg
28mm Spigot	SPI-28	0.40Kg
Cast aluminium 'C' clamp	ACC-10	0.60Kg

Product innovation is a continuous process hence design & data given are subject to change without notice