

■ Specifications

		NP600	NP500	NP400
LCD Panel		0.63 inch LCD with Micro Lens Array (Aspect Ratio 4:3)		0.63 inch LCD (Aspect Ratio 4:3)
Resolution*1		1024 x 768 pixels		
Lens		Zoom ratio 1 to 1.2		
Manual Zoom/ Focus		Throw ratio 1.5-1.8:1, F1.7-2.0, f=19.8-23.7mm		
Projection Distance		0.7m to 11.3m		
Projection Angle		9.5 to 10.0deg (Wide) / 7.9 to 8.3deg (Tele)		
Lamp (Eco Mode)		230W AC (168W)		210W AC (168W)
Lamp Life*2 (Eco Mode)		3,000H (4,000H)		
Light Output*3*4		3500 ANSI lumens (Approx.70% in ECO Mode)	3000 ANSI lumens (Approx.80% in ECO Mode)	2600 ANSI lumens (Approx.80% in ECO Mode)
Contrast Ratio (Full White/Full Black)*4		500:1		
Quietness (Eco Mode)		35dB (29dB)		
Image Size		21inch to 300inch		
Maximum Resolution		UXGA (1600x1200) with Advanced AccuBlend		
Scan Rate		15kHz to 100kHz (RGB: 24kHz or over)		
Video Bandwidth		50Hz to 120Hz		
Colour Reproduction		RGB : 80MHz (Max)		
Horizontal Resolution		16.7 million colours simultaneously, Full colour		
		540 TV lines: NTSC/NTSC4-43/PAL/PAL-M/PAL-N/PAL60		
		900 TV lines: SECAM		
Input Terminals		VGA, SVGA, XGA, WXGA, WXGA+, SXGA, SXGA+, UXGA / 480i, 480p, 576i, 576p, 720p, 1080i		
Input Terminals	Computer1 Input	D-Sub Mini 15pin	Compatible signals RGB (Analog) H/V Sync Composite Sync Sync on G	
		Stereo Mini	0.7Vp-p/75Ω 4.0Vp-p/TTL Level 4.0Vp-p/TTL Level 1.0Vp-p/75Ω(with Sync) Negative 0.5Vrms/22kΩ or over	
	Component Input (Sharing with Computer1)	D-Sub Mini 15pin (Sharing with Computer)	Y Cb,Cr (Pb,Pr)	
		Compatible signals	DTV : 480i, 480p, 720p, 1080i (60Hz) / 576i, 576p, 1080i (50Hz) DVD : Progressive (50/60Hz)	
	Computer2 (DVI-I) Input	DVI-I 29pin	Same with computer1	
		Stereo Mini	Compatible signals DVI digital DVI L/R	
	S-Video Input	Mini DIN-4pin	Y C	
		RCA pin x 2	Stereo L (MONO)/R Composite Video	
	Video Input	RCA pin	0.5Vrms/22kΩ or over	
		Audio input is sharing with S-Video	1.0Vp-p/75Ω Same with S-Video	
Output Terminals	RGB Output	D-Sub Mini 15pin		
	Audio Output	Stereo Mini		
Control Terminals	Wired LAN Port	RJ-45		
	PC Control	D-sub 9pin		
Built-in Speaker		7W Monaural		
Keystone Correction		Vertical Auto/Manual Approx.±Max 30 degrees		
Environment		Operational Temperatures Storage Temperatures		
Power Requirement		5°C to 40°C (Eco Mode selected automatically at 35°C to 40°C), 20% to 80% Humidity (Non-Condensing) -10°C to 50°C, 20% to 80% Humidity (Non-Condensing)		
Input Current		100 to 240V AC, 50Hz/60Hz (NP600G/NP500G/NP400G : 200 to 240V AC, 50Hz/60Hz)		
Power Consumption	Normal Mode	3.8-1.5A (NP600G : 1.8A)	3.5-1.4A (NP500G/NP400G : 1.6A)	
	Eco Mode	325W	240W	295W
Regulations	Standby Mode (Power-saving Mode)	11W (3W)		
	Weight	UL/C-UL Approved (UL 60950-1, CSA 60950-1) Meets DOC Canada Class B requirements Meets FCC Class B requirements Meets AS/NZS CISPR.22 Class B Meets EMC Directive (EN55022, EN55024, EN61000-3-2, EN61000-3-3) Meets Low Voltage Directive (EN60950-1, TÜV GS Approved) 308mm x 93.5mm x 262mm (Not Including Protrusions) 2.98kg		

\*1 : Effective pixels are more than 99.99%.  
 \*2 : Lamp life is defined as the average time span for the brightness of the lamp to be reduced by half, it does not refer to the warranty period for the lamp.  
 \*3 : This is the light output value (ANSI lumens) when the [PRESET] mode is set to [HIGH-BRIGHT]. If any other mode is selected as the [PRESET] mode, the light output value may drop slightly.  
 \*4 : Compliance with ISO21118-2005  
 \*5 : What is HDCP/HDCP technology?  
 HDCP is an acronym for High-bandwidth Digital Content Protection. High bandwidth Digital Content Protection (HDCP) is a system for preventing illegal copying of video data sent over a Digital Visual Interface (DVI). If you are unable to view material via the DVI input, this does not necessarily mean the projector is not functioning properly. With the implementation of HDCP, there may be cases in which certain content is protected with HDCP and might not be displayed due to the decision/intention of the HDCP community (Digital Content Protection, LLC).  
 All specifications are subject to change without notice.

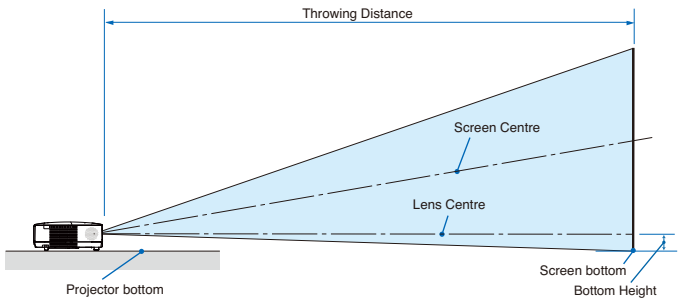
Portable Projector

# NP600/NP500/NP400

High-performance, cost-effective projector offers easy, multifunction operation perfect for business and education.



■ Throwing Distance and Image Size



**NP600/NP500/NP400**

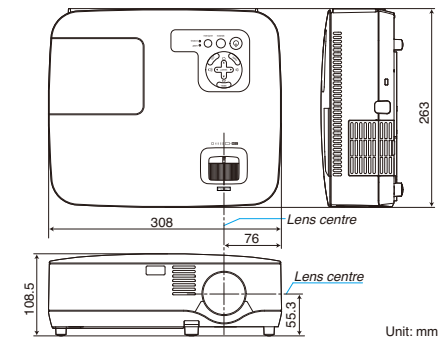
Screen Size (inch)	Throwing distance(m)		Bottom Height(cm)
	Wide	Tele	
21	-	0.75	5.0
25	0.75	0.90	6.0
30	0.90	1.09	7.1
40	1.22	1.47	9.5
60	1.84	2.22	14.3
80	2.47	2.98	19.1
100	3.10	3.73	23.8
120	3.73	4.49	28.6
150	4.67	5.62	35.7
180	5.61	6.74	42.9
200	6.24	7.50	47.6
240	7.50	9.01	57.2
300	9.38	11.27	71.4

The values in the tables are design values and may vary.

■ Remote Control



■ Dimensions



■ Soft Case (basic accessory)



■ Options



WLPJ-0809-121RR

for more information  
[www.nec-display.com/ap](http://www.nec-display.com/ap)

All other trademarks are the property of their respective owners. The images in this brochure are samples. This brochure uses recycled paper.

- High Brightness of 3500 ANSI lumens (NP600)
- Quick start & Direct Power Off
- Multiple input/output terminals
- Wired LAN Connectivity
- Auto power on
- Auto Vertical Keystone Correction
- Built-in 7W speaker





**NP600** | **NP500** | **NP400**  
 XGA 3500 ANSI lumens 2.98 Kg | XGA 3000 ANSI lumens 2.98 Kg | XGA 2600 ANSI lumens 2.98 Kg



**Quick start & Direct Power Off**

Your projector is setup and ready to display your presentation after 8 seconds from powering on, with NEC's Quick Start function. And for a speedy shut down, projector can be turned off using a power strip equipped with a switch and a breaker without powering down the projector, with the Direct Power Off function.

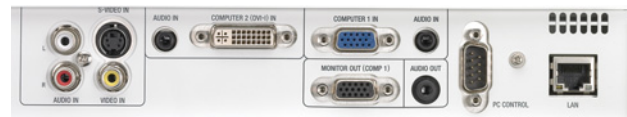
**Short focal length lens**

The short focal length lens will project large images even if the distance to the screen is short. Project large images in a meeting in a small room.



**Multiple input/output terminals**

Multiple input/output terminals include analogue RGB, DVI-I(digital), video, and S-video. By using the DVI-RGB adapter, analogue RGB signals can be connected from two computers.



**Wired LAN Connectivity**

Connect a LAN cable to the LAN port (RJ-45) on the main unit of the projector to control the projector from a remote PC via the network; for instance, use the PC to turn the power to the projector on and off or switch input signals.

**Auto power on**

By inserting the power cord into an outlet, projection will start immediately without pressing the power button. If the Default Source is set to Auto, simply by turning on the power, the projector automatically finds the input signal and projects the images. When the projector is in Standby mode, applying a computer signal from a computer connected to the COMPUTER1 IN input will power on the projector and simultaneously project the computer's image. This functionality eliminates the need to always use the POWER button on the remote control or the projector cabinet to power on the projector.

**4.5m Power Cable**

A long power cable of 4.5 m is included, connect the power cable to a wall outlet without the need for an extension cable while setting the projector in the center of the conference room.

**Auto Vertical Keystone Correction**

The projector will automatically detect and correct vertical inclination and trapezoidal distortions. The angle is adjustable vertically within a range of about +/-30 degrees from the projected angle.



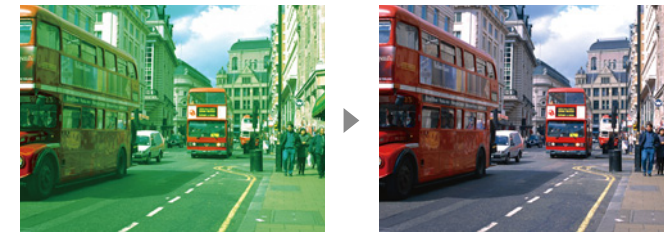
**Built-in 7W speaker for integrated audio solutions**

The built-in 7W monaural speaker on the main unit outputs audio from computer, video, and S-video inputs.

**Wall Colour Correction for vivid images even without a screen**

Without a screen, projected images are affected because of the colour of the wall or blackboard you are projecting on to. The built-in colour correction for projecting images on a coloured wall or blackboard in this projector means that the colour tones of the projected image is approximate to those that are projected on to a white screen. The following nine colour options are available : whiteboard, blackboard, blackboard (grey), light yellow, light green, light blue, sky blue, light rose, and pink.

\*Selecting [WHITEBOARD] reduces lamp brightness.



**Variable Enlargement Function of the projected image**

The function is capable of enlarging any section that you want to emphasize, such as a detailed table or graph up to a maximum of 4 times (16 times the area).

**Very quiet operation in Eco Mode**

Eco Mode operation drops projector noise to 29 dB for very quiet operation and extends the lamp replacement period up to a maximum of 4000 hours. In this mode, total cost of ownership can be effectively reduced. The projector can be put in to Eco Mode very easily with press of a button on the remote control.



**Closed Caption**

If the closed caption signals are included in the video signal or the S-Video signal, the audio data can be displayed on the screen as captions.

**Virtual Remote Function**

Download the Virtual Remote Tool utility software to operate the power on/off or switch inputs on the projector from your PC by using the supplied VGA signal cable. Check with our website.(<http://www.nec-display.com/dl/en/>)

**The projector supports the optional NP02RC remote controller to register the control ID.**

The respective projectors can be operated individually with the optional remote controller (NP02RC) by setting the individual control ID numbers to the respective projectors. If multiple projectors are used in the same room, the respective projectors can be operated individually by switching the ID. It is also possible to operate multiple projectors collectively by setting the same ID for all of them.

**Remote Mouse Operation**

You can use the supplied wireless remote control and the optional remote mouse receiver to control your PC from across the room. The optional remote mouse receiver (NP01MR) supports almost any PC by USB connection.



**Security function prevents unauthorized use**

